

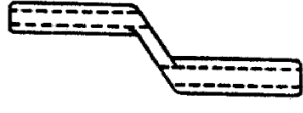
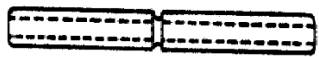
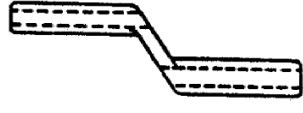
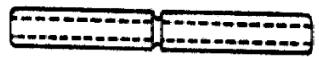

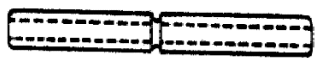


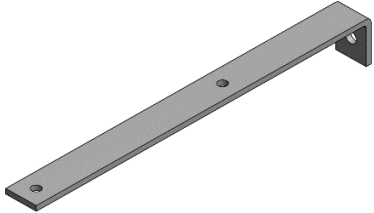
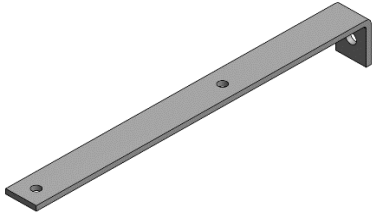
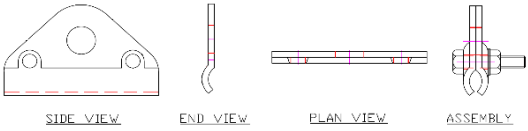
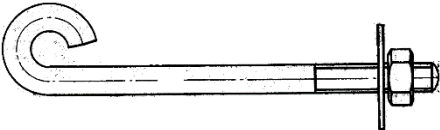
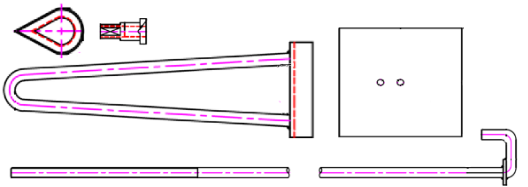
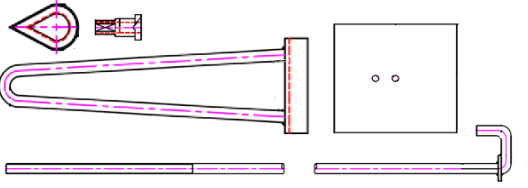

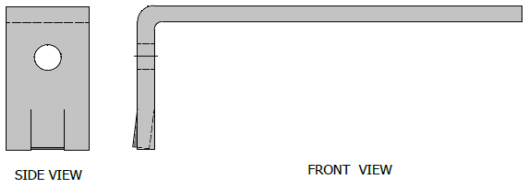
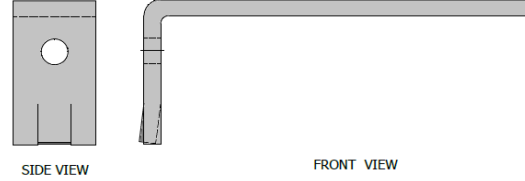
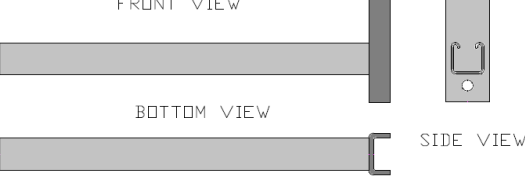
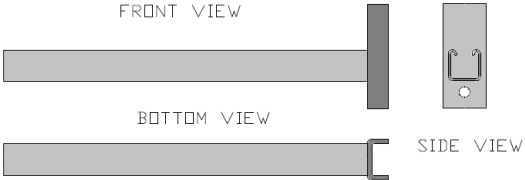





ITEM	CAT NO.	DESCRIPTION	
1	992042	SLEEVE TERMIN 2 MM	
2	992043	SLEEVE JOINTING 2MM	
3	992044	SLEEVE TERMINAL FOR 2,50MM	
4	992045	SLEEVE JOINTING 2,5MM	
5	992086	SLEEVE TERMINAL FOR 2,64MM	
6	992087	SLEEVE JOINTING FOR 2,64	
7	992095	SLEEVE TERMINATING	
8	992096	SLEEVE JOINTING 3,07MM	

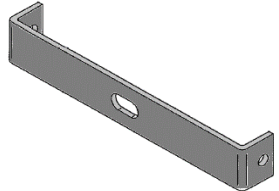
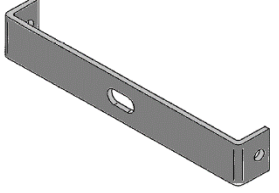
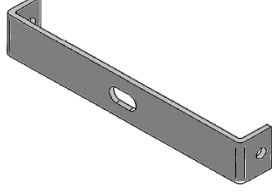
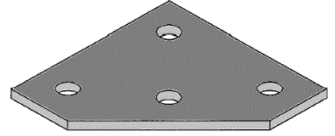
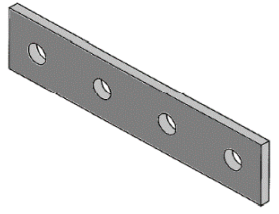
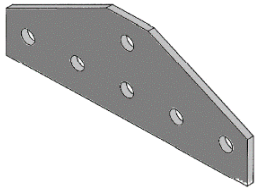
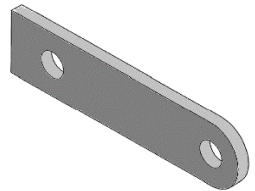
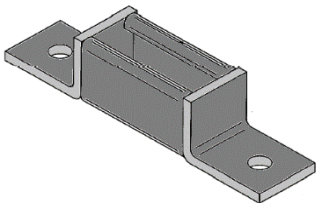
ITEM	CAT NO.	DESCRIPTION	
9	990902	BRACKET, RING, DROPWIRE	
10	993518	3 BOLT LIGHT WIRE CLAMP	
11	993584	10MM CROSBY WIRE CLAMP	
12	993587	LINE CLAMP	
13	994862	TERMINATION HOOK	
14	994867	SUSPENSION HOOK	
15	995676	PIG TAIL	
16	996798	ANGLED BOBBIN BRACKET	

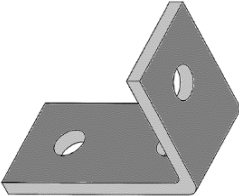
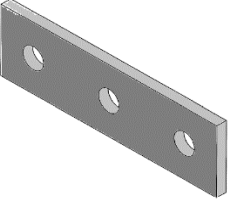
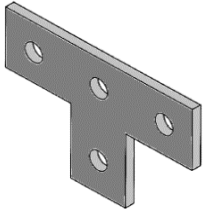
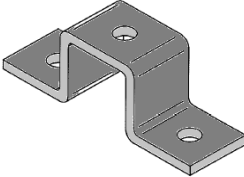
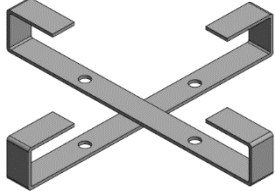
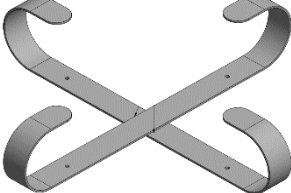
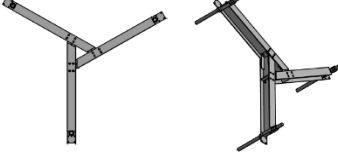
ITEM	CAT NO.	DESCRIPTION	
17	996799	FLAT BOBBIN BRACKET	
18	996801	DB MOUNTING BRACKET	
19	996803	GUARD WIRE BRACKET:LIGHT	
20	301539	GUARD WIRE BRACKET: HEAVY	
21	994872	SUSPENSION CLAMP	
22	994863	TERMINATING HOOK	
23	990099	STAY POLE 1370MM COM	
24	990109	POLE STAY, SIZE 1830MM, 16MM COMPLETE	

ITEM	CAT NO.	DESCRIPTION	
25	990119	STAY POLE 1830MM x 25M COMPLETE	
26	996882	BRACING STRAP: 2-WIRE (340mm)	
27	996883	BRACING STRAP: 4-WIRE (450mm)	
28	996889	BRACING STRAP: 8/12-WIRE (614mm)	
29	996890	BRACING STRAP: 8/12-WIRE (670mm)	
30	993707	COMBINER, 305mm, 2 HOLE	
31	993709	COMBINER, 2 HOLE, 610mm	
32	1000788	BRACKET STRUT: POLE DIA 70mm-160mm	

ITEM	CAT NO.	DESCRIPTION	
33	994333	SUPPORT BRACKET 914MM	
34	994336	CABLE BRACKET SHORT 230	
35	994338	CABLE BRACKET LONG 305	
36	994339	BRACKET ARM:305MM	
37	994340	BRACKET ARM:457MM	
38	990221	TUBULAR ARM: LIGHT	
39	990227	TUBULAR ARM: HEAVY	
40	990235	TUBULAR ARM: MEDIUM	

ITEM	CAT NO.	DESCRIPTION	
41	991630	FASTENER FOR LIGHTWEIGHT DROPWIRE	
42	990172	ARM SEAT	
43	990176	U-BOLT	
44	993518	3 BOLT LIGHT WIRE CLAMP	
45	996633	POLE STEP	
46	996627	POLE STEP	
47	994869	ANGLE FITTING FOR WOODEN POLES AND STEEL ARMS	
48	69125A	STANDARD SINGLE CHANNEL PROFILE Tolerance: Up to 30mm ±0.25 30mm to 350mm ±0.5mm 350mm to 1000mm ±1mm 1000mm to 2000mm ±1.5mm Over 2000mm ±2mm	

ITEM	CAT NO.	DESCRIPTION	
49	69125 SH3	BRACKET 320mm	
50	69125 SH4	BRACKET 232mm	
51	69125 SH5	BRACKET 135mm	
52	69125 SH8	CONNECTION PLATE - 114mm x 6mm THK	
53	69125 SH9	4-HOLE SPLICE PLATE - 184mm LG	
54	69125 SH10	6-HOLT FLAT CONNECTION PLATE - 232mm x 89mm x 6mm THK	
55	69125 SH11	2-HOLE LONG SWIVEL CONNECTION PLATE - 132mm LG	
56	69125 SH12	SUPPORT BRACKET - 75mm	

ITEM	CAT NO.	DESCRIPTION	
57	69125 SH14	3-HOLE CORNER ANGLE - 89mm x 57mm x 40mm x 6mm THK	
58	69125 SH15	3-HOLE SPLICE PLATE - 136mm x 40mm x 6mm THK	
59	69125 SH16	T-PLATE CONNECTION - 136mm x 89mm x 40mm x 6mm THK	
60	69125 SH17	U-SUPPORT FOR STANDARD SINGLE CHANNEL 40mm x 137mm x 6mm THK	
61	69125 SH18	CABLE STORAGE (SLACK) BRACKET - TYPE A FLAT BAR: 40mm x 5mm THK OVERALL LENGTHS: 450mm 500mm 700mm	
62	69125 SH19	CABLE STORAGE (SLACK) BRACKET - TYPE B FLAT BAR: 40mm x 5mm THK OVERALL LENGTHS: 450mm 500mm 700mm	
63		STEEL GRILLAGES FOR COMMUNICATION TOWERS	 <p style="text-align: center;"> TOP VIEW ISO VIEW </p>
64		FOUNDATION SUPPORT SOLUTIONS	